



Birrus Matting Systems uses locally sourced materials whenever possible to produce our Australian-made products.

All entrance matting from Birrus can be customised to fit any shape and size. Our manufacturing standard lead time is up to 20 working days plus delivery time.



## SYSTEM APPLICATIONS

For use with ULTRAMAT, DURAMAT & DURAGRIT Systems.

Highly Recommended for:

- Residential Houses
- Commercial Buildings
- Retail
- Civic Buildings
- Schools & Educational
- Apartment Buildings
- Office & Corporate Buildings
- Shops, Restaurants & Cafés
- Car Parks
- Hospitals & Healthcare Facilities



# DURAGRID

Australian Made - Owned - Manufactured



## TECHNICAL SPECIFICATION

### GENERAL

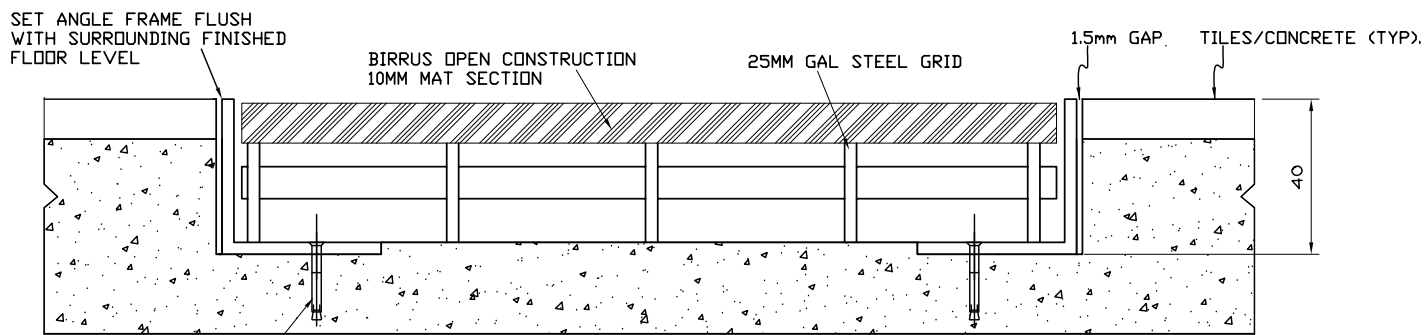
- 10-Year warranty
- Used where a building entry is exposed to the weather
- Recommended that drainage is incorporated into the matting well below the recessed
- Allows water to freely move to the drainage installed in the matting well
- Durable – made from galvanised steel to provide a robust framework
- Perfect partner – designed to work alongside DURAMAT, DURAGRIT or ULTRAMAT
- Custom-made – manufactured to your size and shape specification
- End-of-life return to manufacturer option

### EXTRUSIONS

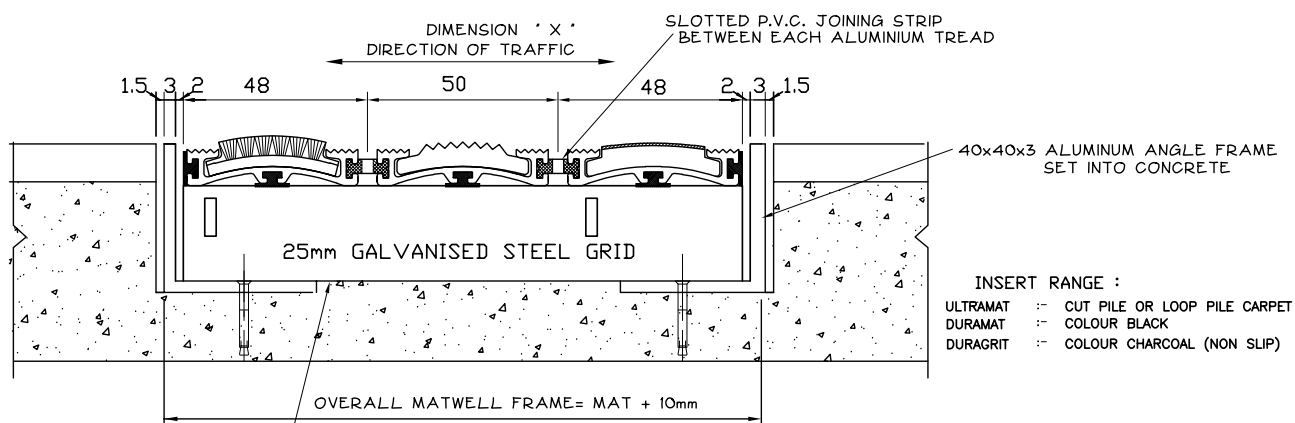
- Galvanised Steel

# DURGRID PROFILE DIAGRAM

## Typical System Installation



MASONRY ANCHOR (CSK HD)  
USE RECOMMENDED MASONRY DRILL SIZE  
TO SUIT ANCHOR



IMPORTANT:- SCREED BASE OF RECESS  
SMOOTH & LEVEL WITH TOP  
LEG OF ANGLE FRAME

INSERT RANGE :

- ULTRAMAT :- CUT PILE OR LOOP PILE CARPET
- DURAMAT :- COLOUR BLACK
- DURAGRIT :- COLOUR CHARCOAL (NON SLIP)



LEARN  
MORE



REQUEST  
A QUOTE



REQUEST  
A SAMPLE

## SYSTEM INSTALLATION

This metal grid system fits firmly within a 40mm x 40mm x 3mm angle frame.