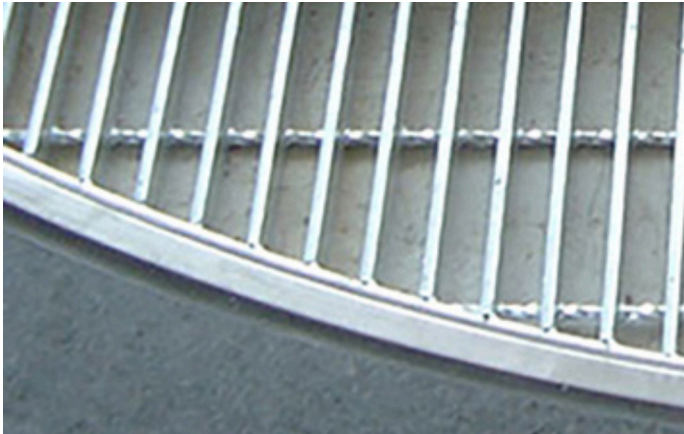




Birrus Matting Systems uses locally sourced materials whenever possible to produce our Australian-made products.

All entrance matting from Birrus can be customised to fit any shape and size. Our manufacturing standard lead time is up to 10 working days plus delivery time.



SYSTEM APPLICATIONS

For use with ULTRAMAT, DURAMAT & DURAGRIT Systems.

Highly Recommended for:

- Residential Houses
- Commercial Buildings
- Retail
- Civic Buildings
- Schools & Educational
- Apartment Buildings
- Office & Corporate Buildings
- Shops, Restaurants & Cafés
- Car Parks
- Hospitals & Healthcare Facilities



DURAGRID

Australian Made - Owned - Manufactured



TECHNICAL SPECIFICATION

GENERAL

- 10-Year warranty
- Used where a building entry is exposed to the weather
- Recommended that drainage is incorporated into the matting well below the recessed
- Allows water to freely move to the drainage installed in the matting well
- Durable – made from galvanised steel to provide a robust framework
- Perfect partner – designed to work alongside DURAMAT, DURAGRIT or ULTRAMAT
- Custom-made – manufactured to your size and shape specification
- End-of-life return to manufacturer option

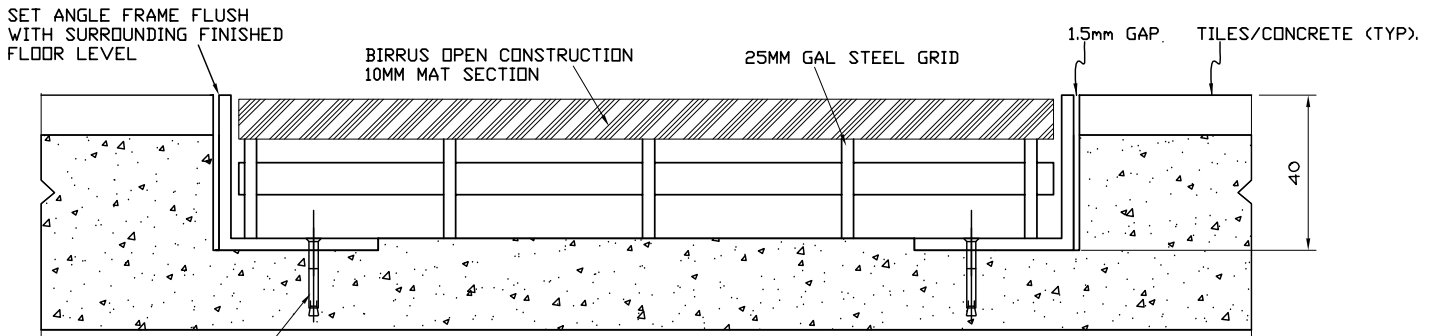
EXTRUSIONS

- Galvanised Steel

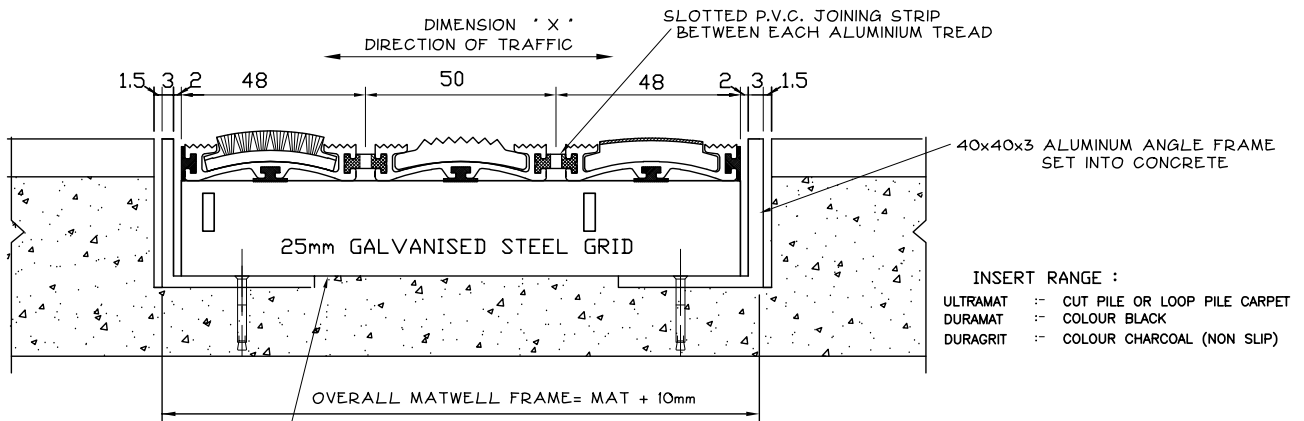


DURGRID PROFILE DIAGRAM

Typical System Installation



MASONRY ANCHOR (CSK HD)
USE RECOMMENDED MASONRY DRILL SIZE
TO SUIT ANCHOR



IMPORTANT:- SCREED BASE OF RECESS
SMOOTH & LEVEL WITH TOP
LEG OF ANGLE FRAME



LEARN
MORE



REQUEST
A QUOTE



REQUEST
A SAMPLE



SYSTEM INSTALLATION

This metal grid system fits firmly within a 40mm x 40mm x 3mm angle frame.