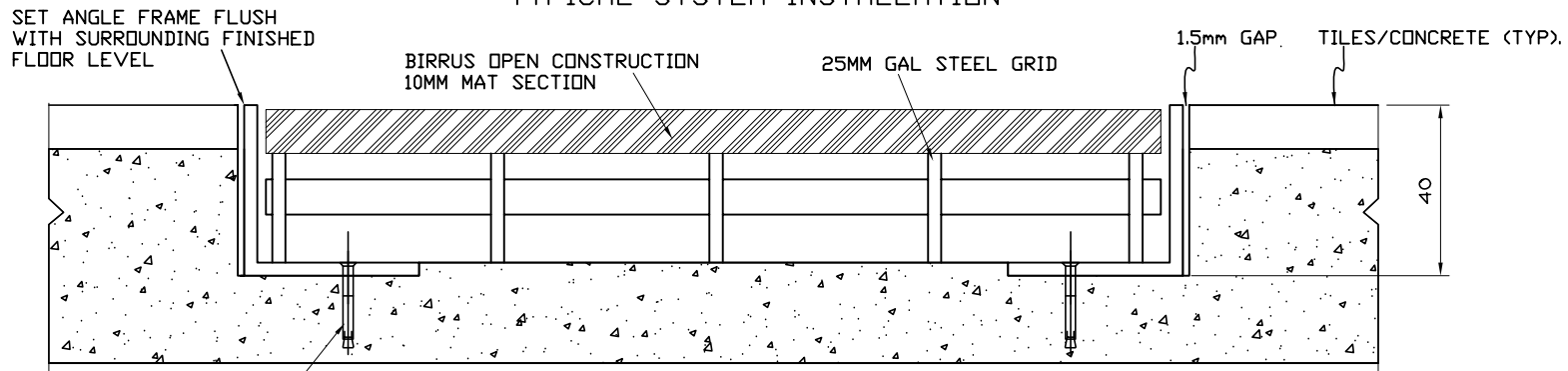
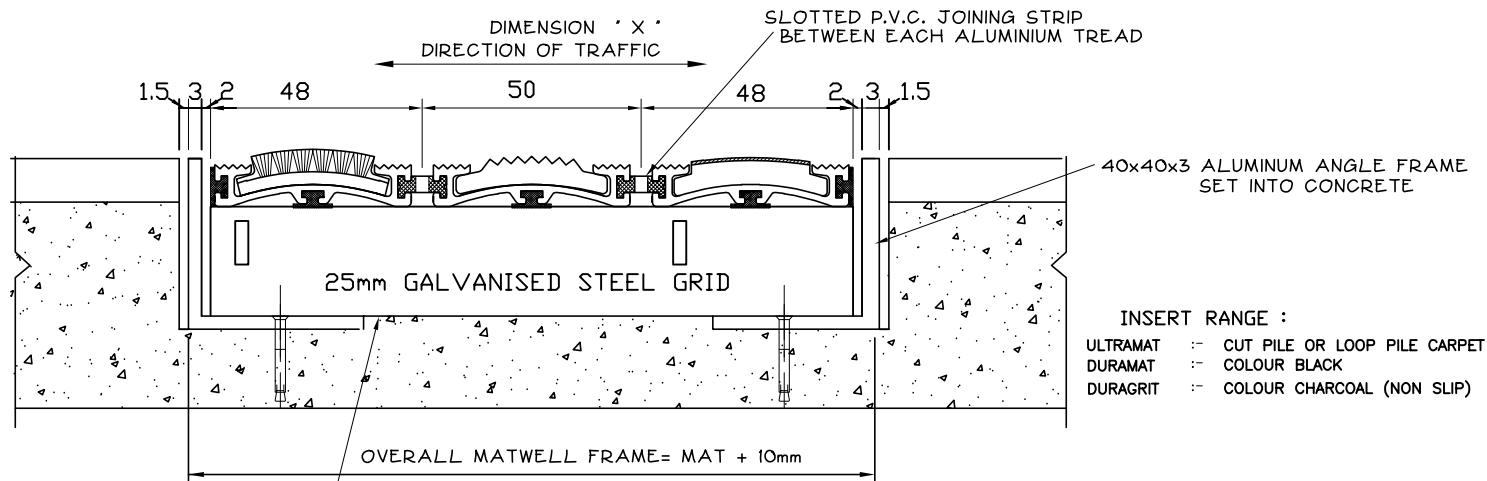


TYPICAL SYSTEM INSTALLATION



MASONRY ANCHOR (CSK HD)
USE RECOMMENDED MASONRY DRILL SIZE
TO SUIT ANCHOR



INSERT RANGE :
ULTRAMAT :- CUT PILE OR LOOP PILE CARPET
DURAMAT :- COLOUR BLACK
DURAGRIT :- COLOUR CHARCOAL (NON SLIP)

IMPORTANT:- SCREED BASE OF RECESS
SMOOTH & LEVEL WITH TOP
LEG OF ANGLE FRAME



BIRRUS MATTING SYSTEMS

60 GAIN ROAD,
DANDENONG SOUTH, VICTORIA 3175
AUSTRALIA.

Call: 1300 369 858

International

Tel: +61 (0)3 9701 2544

Fax: + 61 (0)3 9701 2588

Website: www.birrusmatting.com.au

Email: sales@birrusmatting.com.au

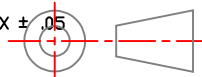
ACN 056 444 798
ABN 21 580 904 298

Project

Unspecified
Tolerances

DECIMALS
ANGULAR
.X ± .5
± 0°30'
.XX ± .1

.XXX ± .05



Date

Title

BIRRUS DURAGRIT
ASSEMBLY FOR 10MM
OPEN CONSTRUCTION
LAYOUT.

Scale

Job No.

Drawing No.

Rev